



# SKR Series-Dredge Pumps

MIGHTY INDUSTRIAL STRENGTH PUMPS

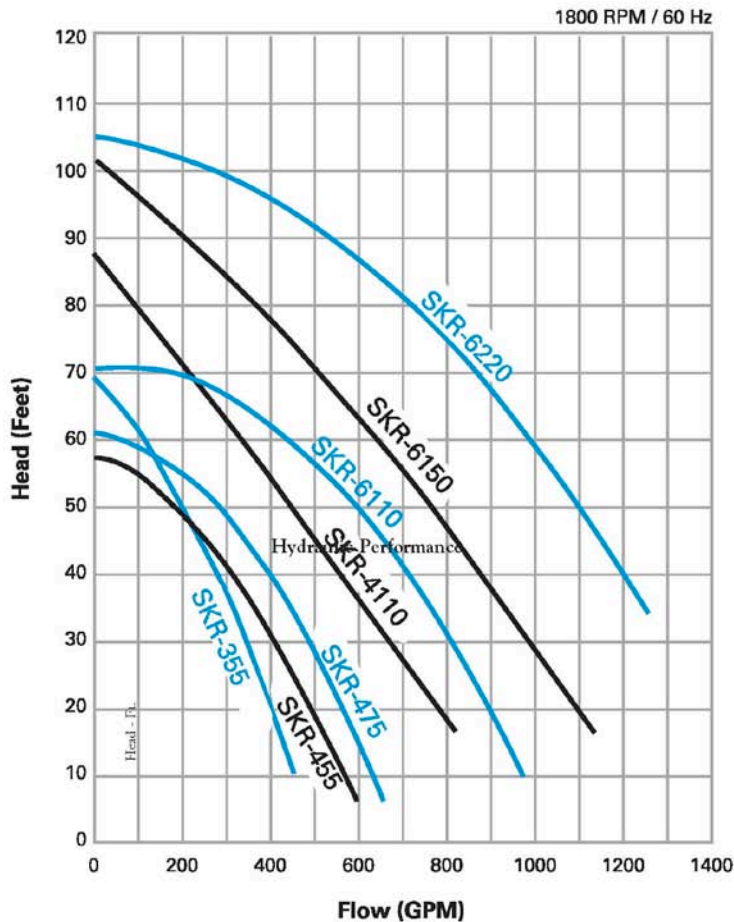
- Hardened Chromium Agitator, Impeller and Wear Plate •
- NI-Hard Cast Iron Volute • Semi-Vortex Impeller •

## Features

SKR pumps incorporate proven engineering design to assure long, reliable pump life. With Class H motor insulation, double silicon carbide seals in a separate oil filled housing, 410 stainless Steel rotor and shaft sleeve, Integrated cooling jacket so the pump can pump down close to the bottom and Heavy duty 5-conductor cable (standard 50'). All to endure the toughest conditions these pumps can be placed in.

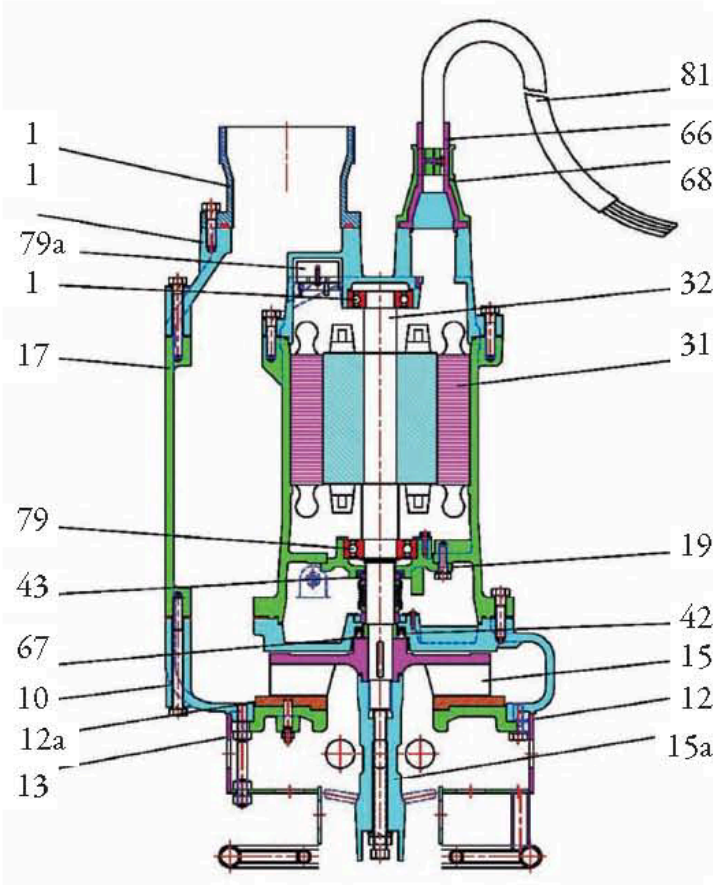


**SKR Series**  
Performance Curves



Phone: 1-877-898-3494  
 Fax: 1-866-424-0953  
 Email: sales@mightypumps.com  
 www.mightypumps.com

# Technical Specifications



Item #	Part Description	Material Construction
1	Discharge Head	PC-20
4	Upper Cover	PC-20
10	Pump Casing	FCD Alloy
12	Inlet Plate	PC-20
12a	Wear Plate	High Chrome Steel
13	Strainer	SC
15	Impeller	High Chrome Steel
15a	Agitator	High Chrome Steel
17	Motor Frame	PC-20
19	Bearing Bracket	PC-20
31	Stator	CL-H
32	Rotor / Shaft	SUS-410
42	Oil Seal	SUS-304
43	Mechanical Seal	SC-SC/CE-TC
66	Cable Gland	NBR
67	Shaft Sleeve	SUS-304
67	Gland Holder	PC-20
71	Thermal Protector	Switch
79a/b	Bearings	Shielded
81	Cable	GGC-5C

## General & Electrical Specifications

MODEL	HP	Voltage (see note)	Amps (FLA)	Discharge (NPT)	Max Solids (in)	Max Flow (GPM)	Max Head (ft)	Wt. (lbs)	Max Ht/Wt (in)
SKR-355-460	7.5	460	10.8	3"	1"	450	67	292	30.5/16.2
SKR-355-230	7.5	230	21.5	3"	1"	450	67	292	30.5/16.2
SKR-455-460	7.5	460	10.8	4"	1"	595	56	292	30.5/16.2
SKR-455-230	7.5	230	21.5	4"	1"	595	56	292	30.5/16.2
SKR-475-460	10	460	14.3	4"	1"	655	59	310	30.5/16.2
SKR-475-230	10	230	28.7	4"	1"	655	59	310	30.5/16.2
SKR-4110-460	15	460	21.5	4"	1"	820	88	452	35.5/18.6
SKR-4110-230	15	230	43.0	4"	1"	820	88	452	35.5/18.6
SKR-6110-460	15	460	21.5	6"	1 3/8"	980	72	452	35.5/18.6
SKR-6110-230	15	460	43.0	6"	1 3/8"	980	72	452	35.5/18.6
SKR-6150-460	20	460	28.7	6"	1 1/2"	1140	100	472	35.5/18.6
SKR-6150-230	20	230	57.4	6"	1 1/2"	1140	100	472	35.5/18.6
SKR-6220-460	30	460	42.9	6"	1 1/2"	1270	105	540	39.5/18.6
SKR-6220-230	30	230	86.0	6"	1 1/2"	1270	105	540	39.5/18.6