

DT3 PUMP

PERFORMANCE

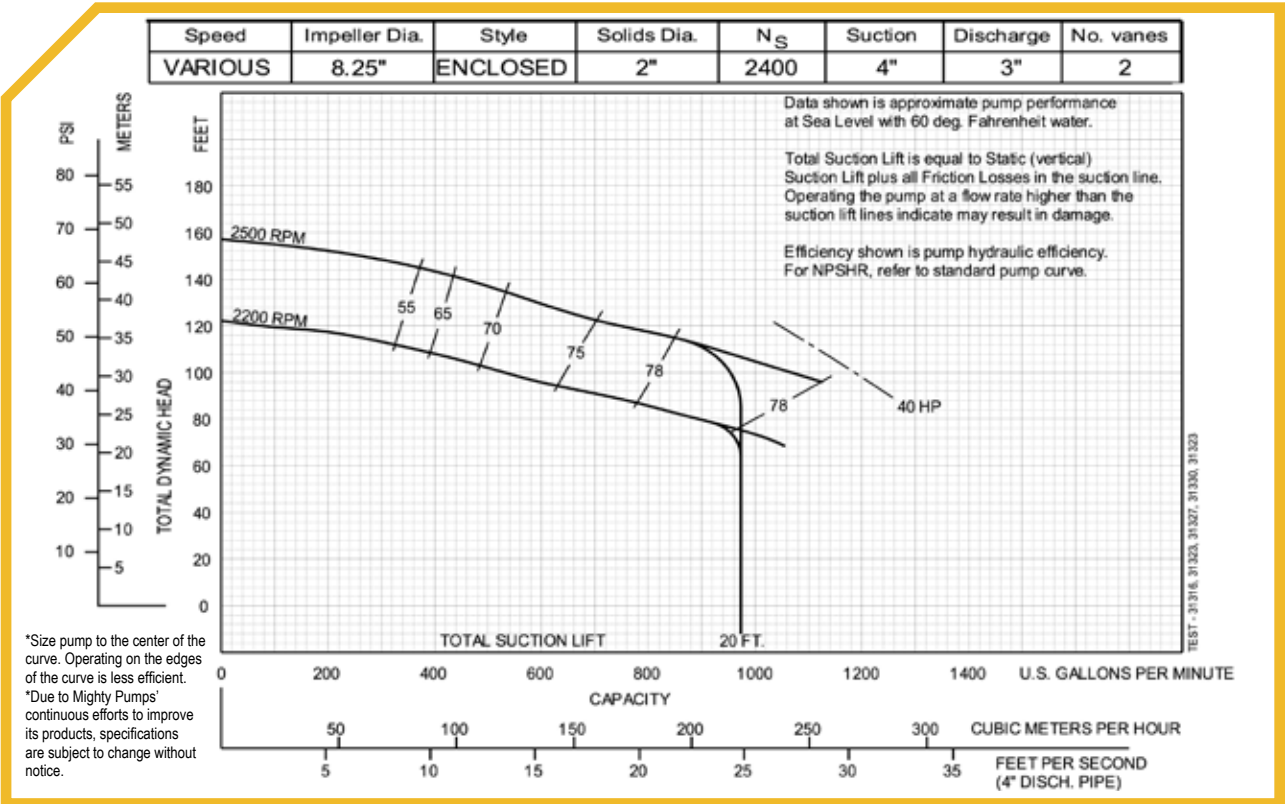
Maximum Outflow	1,150 US gpm (4,353 L/min)
Maximum Head	150 feet (46 m)
Solids Handling	2" (51 mm) diameter
BEP with 15' lift	980 US gpm @ 106 feet



PUMP FEATURES

- Dewatering Trash (DT) Pumps move large volumes of water
- Variety of pump applications including sewage, liquids, sludge and liquids with solids up to 2" (51 mm) in diameter
- Standard engine CAT C2.2 Mechanical- 59 hp, also available in Yanmar 4TNV98-BDSA Mechanical- 47.4 hp
- Stressproof™ stainless steel shaft with innovative Cycloseal® (Tungsten Carbide vs. Silicon Carbide) that increases the seal life by up to three times that of a typical mechanical seal
- Oil bath feeds the mechanical seal with cooler oil for continuous dry running
- Steel construction industrial grade, off-road trailer with automatic hydraulic brakes and an internal 99 gallon fuel tank; exempt from TDG legislation
- Protective Quiet Container is easily removable and reduces sound down to 70 dB at 28ft away
- Automatic priming system that sucks air and liquid at the same time. Primes and re-primers completely unattended
- Priming system built with in-line ¼ turn isolation valve for flooded suction applications
- Auto-Start/Stop Water Level Control
- At its Best Efficiency Point this pump is 78% efficient, which reduces energy costs compared to other pumps
- Heavy duty, massive pump shafts, purposely built for industrial applications
- Optional remote monitoring with live updates that include: pump's global position, discharge pressure, engine data and maintenance log
- Warranted by Mighty Pumps, Cornell and CAT/Yanmar- 2 year, 2,000 hour warranty

PERFORMANCE CURVE



DT3 PUMP

SPECIFICATIONS

Engine	CAT C2.2 Mechanical- 59 hp or 4TNV98-BDSA Mechanical- 47.4 hp
Pump End	Cornell 3NNTL
Mounting	Trailer
Sound Attenuation	Quiet Container / Residential Muffler
Fuel Tank Capacity	99 US gallons (375 L)
Fuel Consumption (1,800 rpm)	3.0 US gal/hr
Run Time* (1,800 rpm)	33 hours
Maximum Operating Speed	2,000 rpm
Max Case Pressure	150 psi (1,034 kPa)
Max Fluid Temperature	180°F (82°C)
Suction Inlet Size	4" 150 lb Flange
Discharge Outlet Size	3" 150 lb Flange

*one tank of fuel

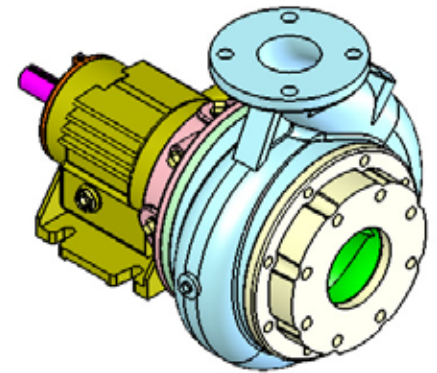
DIMENSIONS

Height	92" (2,337 mm)
Width	72" (1,829 mm)
Length	141" (3,581 mm)
Weight (Wet)	4,250 lb (1,932 kg)

PUMP MATERIALS

Volute	ASTM A48 Cast Iron
Wear Rings	ASTM A48 Cast Iron
Backplate	ASTM A48 Cast Iron
Impeller	ASTM A48 Cast Iron
Frame	ASTM A48 Cast Iron
Trailer	CSA G40.21 350W Steel
Shaft	Stress Proof SAE 1144 Steel
Shaft Seal	Tungsten Carbide vs. Silicon Carbide
Engine Bracket	ASTM A48 Cast Iron

CORNELL 3NNTL



MIGHTY PUMPS FAMILY CURVE

