

HW4 PUMP

PERFORMANCE

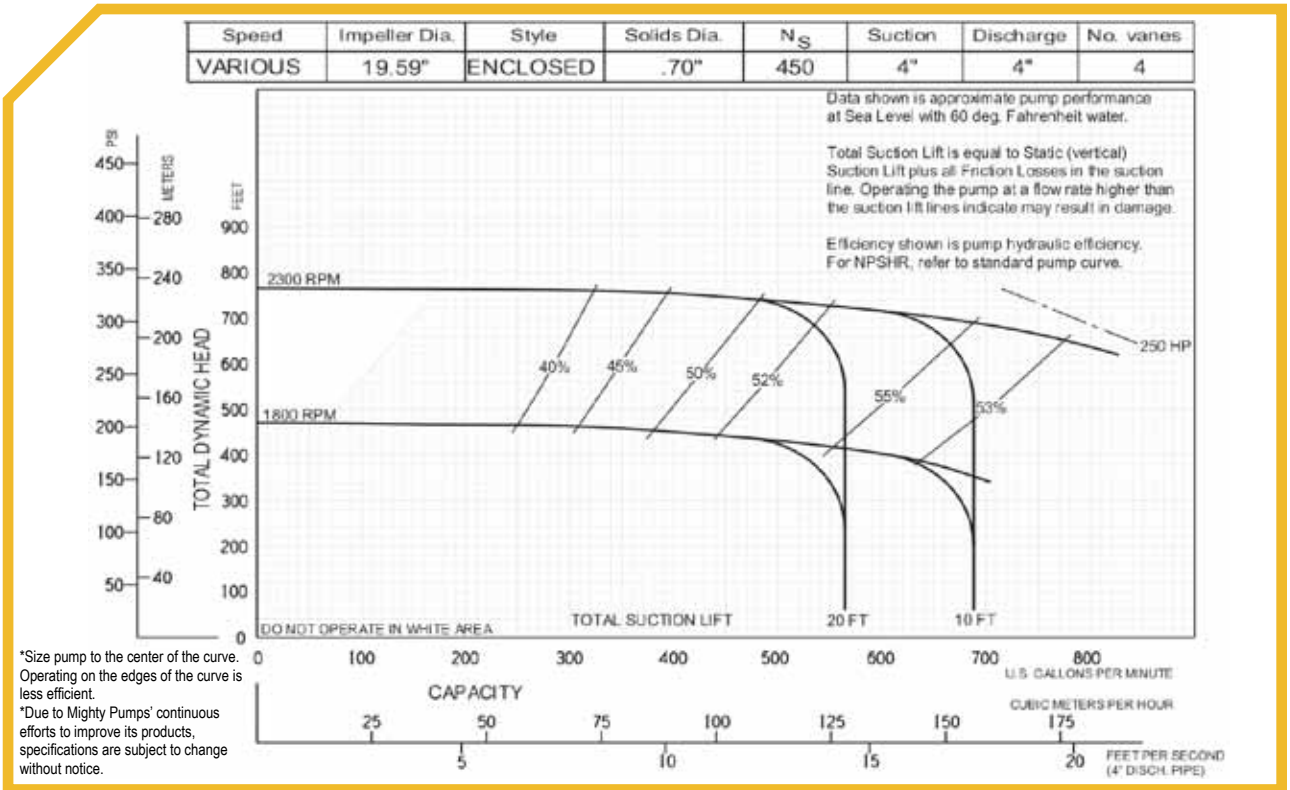
Maximum Outflow	770 US gpm (2,915 L/min)
Maximum Head	710 feet (216 m)
Solids Handling	0.7" (18 mm) diameter
BEP with 15' lift	570 US gpm @ 720 feet



PUMP FEATURES

- High Head Water (HW) pumps are designed for high head jobs with very few solids
- Variety of pump applications including sewage, liquids, sludge and liquids with solids up to 0.7" (18 mm) in diameter
- Standard engine CAT C7–250 hp, also available in John Deere JD6068H- 251 hp
- Stressproof™ stainless steel shaft with innovative Cycloseal® (Tungsten Carbide vs. Silicon Carbide) that increases the seal life by up to three times that of a typical mechanical seal
- Oil bath feeds the mechanical seal with cooler oil for continuous dry running
- Steel construction skid. Also available with an industrial grade, off-road trailer mount
- Automatic Priming System sucks air and liquid at the same time. Primes and re-primers completely unattended
- Priming system built with in-line ¼ turn isolation valve for flooded suction applications
- Auto-Start/Stop Water Level Control
- At its Best Efficiency Point this pump is 53% efficient, which reduces energy costs compared to other pumps
- Heavy duty, massive pump shafts, purposely built for industrial applications
- Optional remote monitoring with live updates that include: pump's global position, discharge pressure, engine data and maintenance log
- Optional, easily removable protective Quiet Container that reduces sound down to 70 dB at 28ft away
- Warranted by Mighty Pumps, Cornell and CAT/John Deere- 2 year, 2,000 hour warranty

PERFORMANCE CURVE



HW4 PUMP

SPECIFICATIONS

Engine	CAT C7-250 hp continuous or John Deere JD6068H- 251 hp
Pump End	Cornell 3419MX
Mounting	Skid
Sound Attenuation	Quiet Container / Residential Muffler
Fuel Tank Capacity	250 US gallons (946 L)
Fuel Consumption (1,800 rpm)	11.8 US gal/hr
Run Time* (1,800 rpm)	21 hours
Maximum Operating Speed	2,300 rpm
Max Case Pressure	500 psi (3,447 kPa)
Max Fluid Temperature	180°F (82°C)
Suction Inlet Size	4" 150 lb Flange
Discharge Outlet Size	4" 300 lb Flange

*one tank of fuel

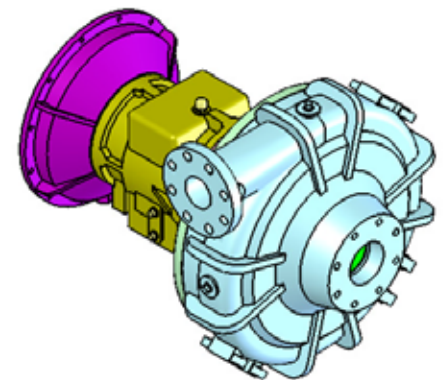
DIMENSIONS

Height	111" (2,819 mm)
Width	56" (1,422 mm)
Length	155" (3,937 mm)
Weight (Wet)	9,980 lb (4,527 kg)

PUMP MATERIALS

Volute	ASTM A536-72 Ductile Iron
Wear Rings	ASTM A48 Cast Iron
Backplate	ASTM A536-72 Ductile Iron
Impeller	CA6 Cast Steel
Frame	ASTM A48 Cast Iron
Shaft	Stress Proof SAE 1144 Steel
Shaft Seal	Tungsten Carbide vs. Silicon Carbide or Carbon vs. Ceramic
Engine Bracket	ASTM A48 Cast Iron
Skid	CSA G40.21 44W Steel

CORNELL 3419MX



MIGHTY PUMPS FAMILY CURVE

