



# S150-Dewatering Pump

MIGHTY INDUSTRIAL STRENGTH PUMPS

- Stainless Steel Hardened Impeller •
- High Efficiency • Silicon Carbide Mechanical Seal •

## Features

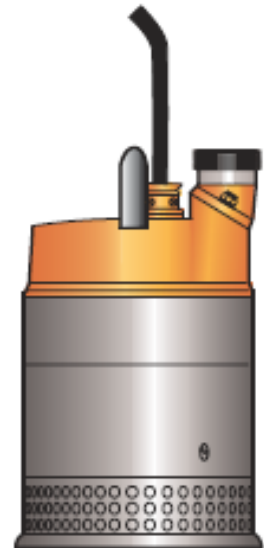
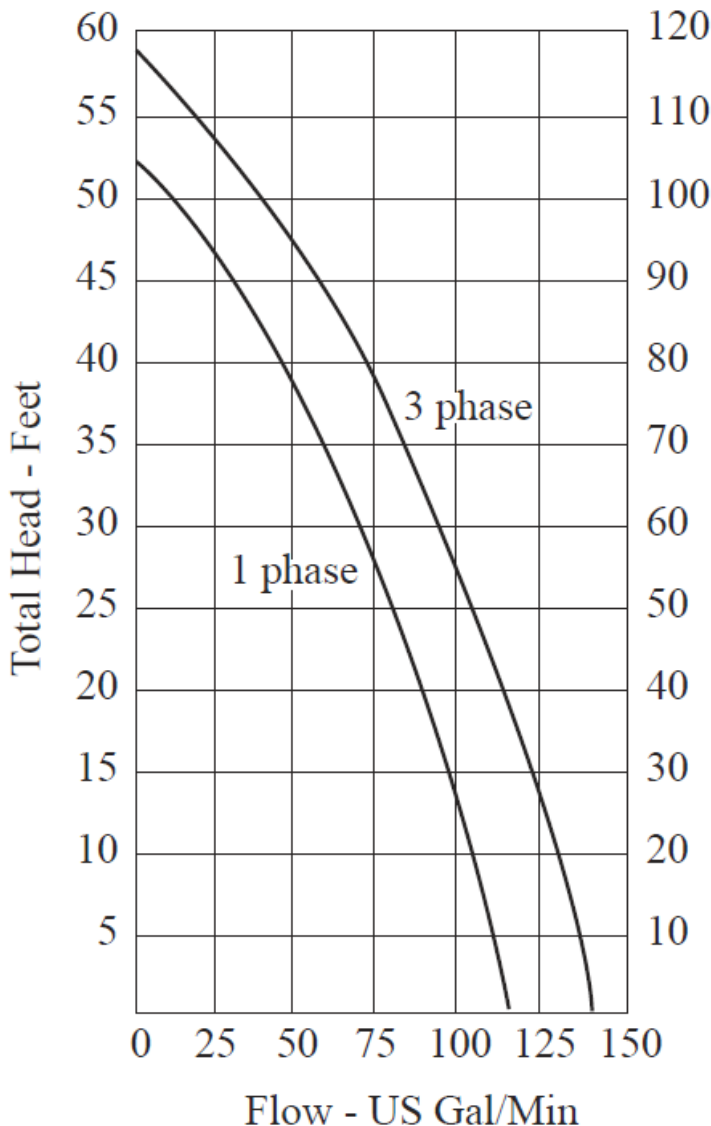
150 model pumps are equipped with an aluminum seal housing and a stainless steel cartridge type seal with solid silicon carbide seal faces, This state of the art system can withstand extremely high pressure and utilizes anti-vibration bellows to prevent the seal faces from separating even under the most extreme operating conditions. The mechanical seals run in an oil-filled chamber reducing the chance of overheating and failure.

## Performance/Specifications

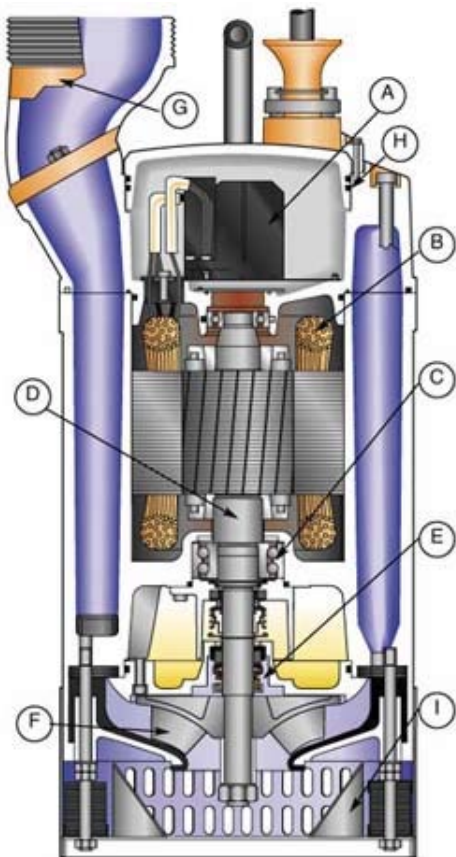
<b>Maximum Flow:</b>	1ph: 150 US gpm	3ph: 150 US gpm
<b>Maximum Head:</b>	1ph: 58 ft	3ph: 58 ft
<b>Horsepower:</b>	1ph: 1.2	3ph: 1.5
<b>Voltage:</b>	1ph: 110/230	3ph: 230/460/575
<b>Discharge:</b>	1ph: 2"	3ph: 2"
<b>Weight:</b>	1ph: 36 lbs	3ph: 36 lbs
<b>Height:</b>	1ph: 13 1/2"	3ph: 13 1/2"
<b>Diameter:</b>	1ph: 8 1/2"	3ph: 8 1/2"
<b>MSHA Des.:</b>	1ph: P20CE	3ph: P20CE

## S150 Performance Curve

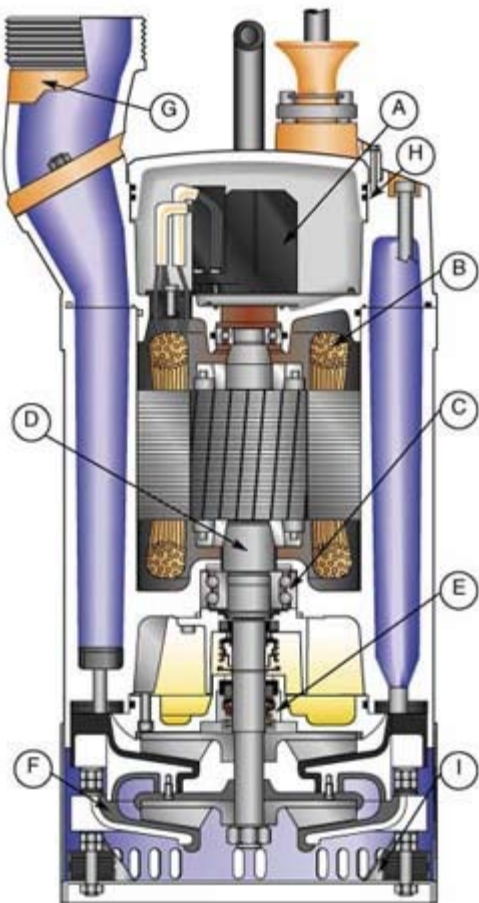
(P20CE - MSHA Explosion-Proof Pump Model)



Phone: 1-877-898-3494  
 Fax: 1-866-424-0953  
 Email: sales@mightypumps.com  
 www.mightypumps.com



**High Volume (Model S3000, 30HP Shown)**



**High Head (Model S3000, 30HP Shown)**

**A: Junction Chamber**

All Mighty dewatering pumps are equipped with a built-in contactor wired to thermal switches embedded into the end coils of the stator. In the event of motor over-heating, the contactor is tripped and automatically resets when the motor cools. All electric cables enter through a sealing gland. Water sealing and strain relief functions are separated. The entire junction chamber is sealed off from the motor to prevent burn out should moisture enter due to damage to the cable.

**B: Motor**

A dry, shell type, squirrel-cage induction motor is standard on all Mighty submersibles. Stator windings are triple dipped, class F Insulation, rated at 310°F (155°C). On all units pilot thermal sensors are embedded in the stator to protect the motor and exposed surfaces from overheating. All permissible and explosion proof models have especially long flame paths with very tight tolerances between all parts surrounding the motor to insure a secure housing in the event of an internal explosion.

**C: Bearings**

Both upper and lower bearings are prepacked with special high temperature grease.

**D: Shaft**

Every Mighty pump is designed with a short shaft overhang. Shaft deflection due to hydraulic forces is virtually eliminated. The result is a dramatic increase in bearing and seal life. All Mighty submersible shafts are made of stainless steel.

**E: Seal**

One of the most critical components of Mighty submersible pumps is the unique lapped solid silicon carbide vs. silicon carbide seals. The Mighty balanced cartridge seal will withstand heat, corrosion and abrasion no other seals could survive. This compact unit consists of a lower balanced cartridge seal and an upper spring loaded mechanical seal assembly. The seals are arranged in tandem. each operating independent of the other in an oil chamber. The oil acts as a lubricating and cooling medium for the seal faces.

**F: Liquid End**

Adjustable abrasion resistant stainless steel impeller and rubber lined diffuser permit optimum efficiency to be maintained despite wear. Rubber clad, easily replaceable wear parts are standard.

**G: Hose Connection**

The discharge outlet can be placed in the straight out position or rotated 180° aiming the hose at an angle, eliminating kinks and bends, reducing friction losses.

**H: O-rings**

All mating components around motor are sealed with double o-ring seals.

**I: Hardware**

All Mighty fasteners and strainers are made of stainless steel.